

## VELOMITOR TRANSDUCER

# TV-22 TV-32

TV-22 and TV-32 transducers seismically measure absolute vibration by a direct installation on the supports of the vibrating part and supplies an output signal directly proportional to the vibration. This signal can subsequently be processed by a measuring channel of a CEMB "T" series device.

TV-22 and TV-32 transducers exploits the piezoelectric effect, generates an electric signal proportional to the vibration speed.



TECHNICAL CHARACTERISTICS	TV-22	TV-32
<b>GENERAL</b>		
Type of measurement	■ seismic (absolute vibration) piezoelectric	■ seismic (absolute vibration) piezoelectric
Sensitivity	■ 4 mV/mm/sec.	■ 20 mV/mm/sec.
Dynamic range	■ ± 1270 mm/sec.	■ ± 254 mm/sec.
Frequency response	■ ± 3 dB 1,5 ÷ 12000 Hz	■ ± 3 dB 1,0 ÷ 10000 Hz
Vibration direction	■ any	■ any
<b>ELECTRICAL</b>		
Settling time	■ < 4 sec.	■ < 4 sec.
Power supply	■ 2÷10 mA - 18÷30 Vdc	■ 2÷10 mA - 18÷30 Vdc
Output polarization voltage	■ 10-14 Vdc	■ 10-14 Vdc
Output impedance	■ < 100 ohm	■ < 100 ohm
Outer casing insulation	■ > 10 <sup>8</sup> ohm	■ > 10 <sup>8</sup> ohm
<b>AMBIENT</b>		
Temperature range	■ -50°C ÷ +121°C	■ -50°C ÷ +121°C
Protection against shocks	■ 5000 g pk	■ 5000 g pk
Electromagnetic sensitivity	■ CE	■ CE
Protection against external agents	■ IP68	■ IP68
<b>PHYSICAL</b>		
Weight	■ 90 g	■ 90 g
Resonance frequency	■ 25 kHz	■ 25 kHz
Outer casing material	■ AISI 316-L stainless steel	■ AISI 316-L stainless steel
Thread	■ ¼"-28UNF (standard)	■ ¼"-28UNF (standard)
	■ M8 X 1,25	■ M8 X 1,25
	■ M6 X 1,0	■ M6 X 1,0
	■ M10 X 1,5	■ M10 X 1,5
Connection	■ MIL-C-5015	■ MIL-C-5015
Tightening torque	■ da 2,7 a 6,8 Nm	■ da 2,7 a 6,8 Nm

# TV-22 TV-32

## ORDER INFORMATION:

A  
TV-22/

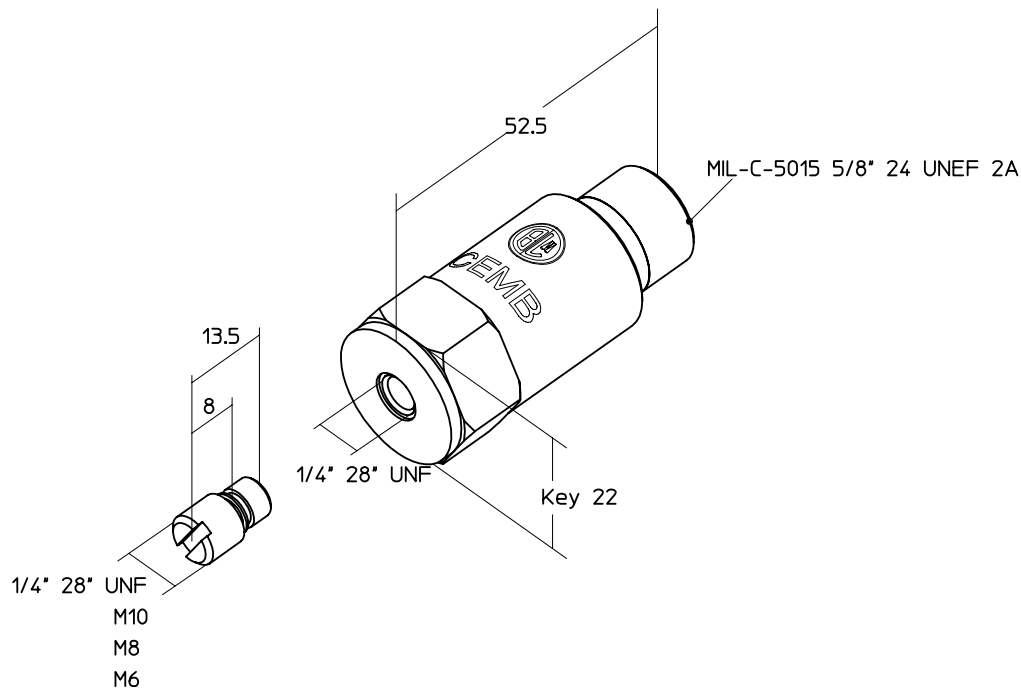
### A: THREAD

0	1/4" - 28 UNF
1	M8 X 1,25
2	M6 X 1
3	M10 X 1,5

A  
TV-32/

### A: THREAD

0	1/4" - 28 UNF
1	M8 X 1,25
2	M6 X 1
3	M10 X 1,5



## CABLES AND OPTIONAL ACCESSORIES

### CABLES:



**SHIELDED CABLE 2X1 STANDARD** 80419-P  
CBL-TV22 / S / 0 / XX (length in meters)



**SHIELDED CABLE ARMURED IN ETFE** 87SEA7952  
CBL-TV22 / E / 0 / XX (length in meters)



**SHIELDED CABLE 2X1 WITH METAL JACKET COVERED BY PVC** 95743-P  
CBL-TV22 / A / 0 / XX (length in meters)



**SHIELDED CABLE ARMURED IN ETFE WITH SILICON BUMP**  
CBL-TV22 / E / 2 / XX (length in meters)

### ONLY CONNECTORS:

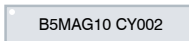


**2 PINS STRAIGHT (standard)** 597023104



**2 PINS 90°** 597023108 + 59070352

### TAGS:



**PLASTIC TAG** 040STR000



**STAINLESS STEEL TAG** 980710835



**CEMB**  
BALANCING MACHINES

CEMB S.p.A.  
Via Risorgimento, 9  
23826 MANDELLO DEL LARIO (LC) Italy  
www.cemb.com



Vibration analysis division:  
phone +39 0341 706111  
fax +39 0341 706299  
e-mail: stm@cemb.com

Tutti i dati e le caratteristiche menzionati in questo catalogo sono a titolo indicativo e non costituiscono nessun impegno per la nostra Società che si riserva il diritto di apportare senza alcun preavviso, tutte le variazioni che riterrà opportune.